

# **ENVI-BUBBLE MEMBRANE DIFFUSERS**

- *self cleaning & back flow prevention.*
- *water stirring & corrosion resistance.*
- *flexibility & durability.*



The membrane fine bubble diffuser satisfy all your need of aeration

# MEMBRANE DISC DIFFUSERS

DISC-170 / DISC-245 / DISC-325

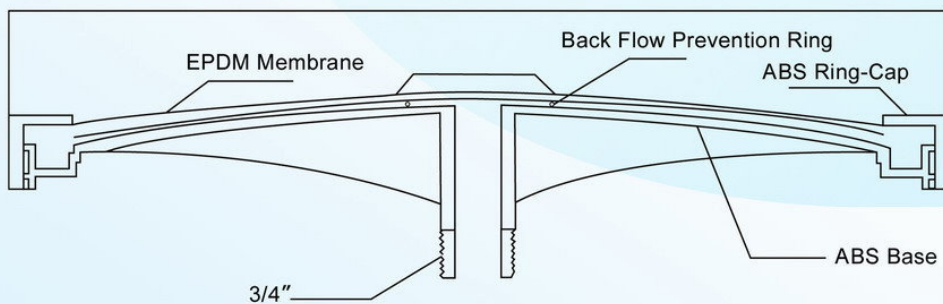


Type	Membrane	Volume(L/min)	Max Volume(L/min)
DISC-170	EPDM	10~50	60
DISC-245	EPDM	10~80	120
DISC-325	EPDM	10~120	200

**DISC-170**  
**170mm**

**DISC-245**  
**245mm**

**DISC-325**  
**325mm**

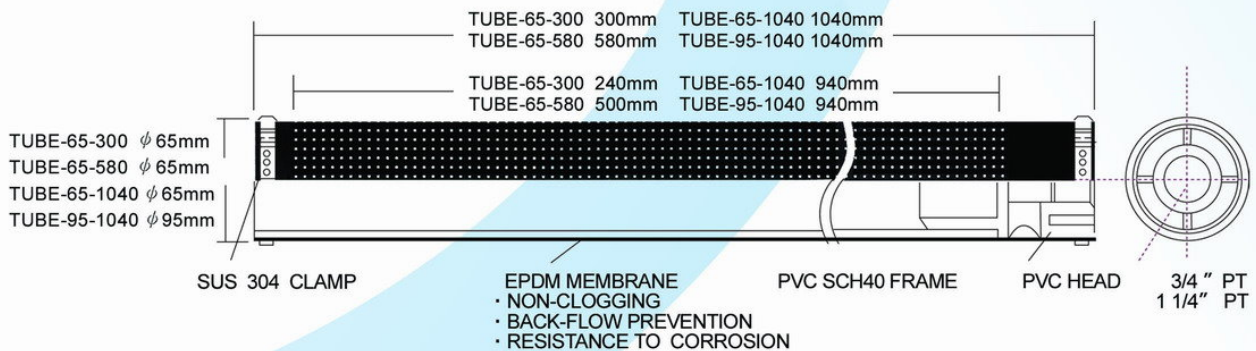


# MEMBRANE TUBE DIFFUSERS

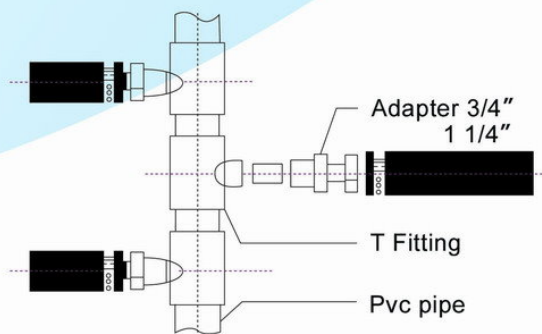
TUBE-65-300 / TUBE-65-580 / TUBE-65-1040 / TUBE-95-1040



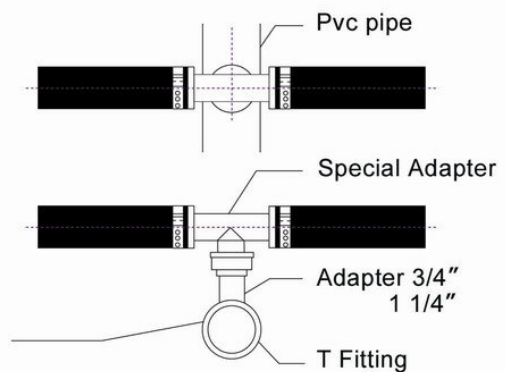
Type	Membrane	Nor. Volume(L/min)	Max Volume(L/min)
TUBE-65-300	EPDM	10~80	120
TUBE-65-580	EPDM	10~120	240
TUBE-65-1040	EPDM	20~200	480
TUBE-95-1040	EPDM	20~400	960



## Installation General Adapter



## Special Adapter



## Structure

- Membrane with EPDM or VITON rubber compound.
- Air inlet with modled injection of PVC or ABS.
- Supporting frame with PVC or ABS pipe.
- Clamp with stainless steel.
- Non tearing & non clogging I-shapped slits.
- Double pipe design for long duty life.

## Application

- Municipal wastewater treatment.
- Industrial wastewater treatment.
- Clean water treatment.
- Sludge stabilization.
- Wastewater ozone diffusion.
- Aeration of fish ponds.
- Aeration of streams and lakes.

## Advantage

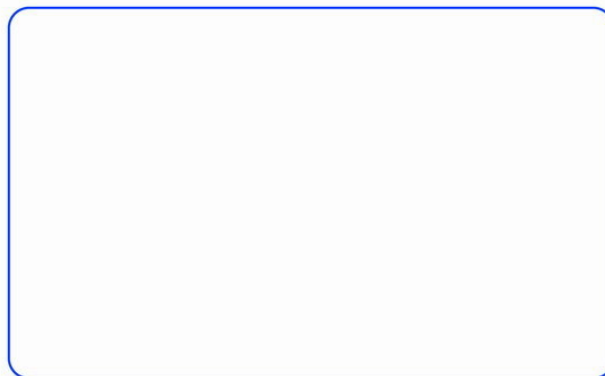
- High oxygen transfer efficiency.
- High resistance to clogging.
- High resistance to corrosion.
- Wide air flow range.
- Low pressure loss.
- Low energy cost.
- Easy installation.
- Uniform fine bubble.
- Back flow prevention.
- Seif cleaning operation.
- Intermittent operation capability.
- Slide-off prevention designed.
- Cost saving.

**The membrane fine *bubble diffuser* satisfy all your need of aeration**

***ENVI- BUBBLE MEMBRANE DIFFUSERS***

**SERVICE**

**AGENT**



**Pump Tech Engineering Sdn Bhd.**

9, Jalan PP 2/2  
Taman Puchong Prima  
47100 Puchong  
MALAYSIA